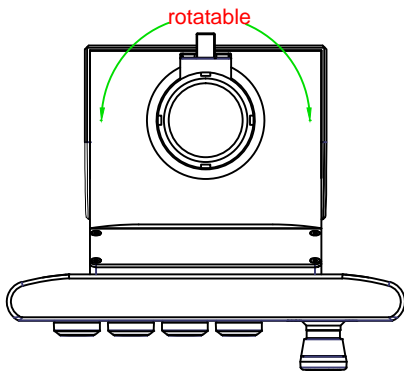


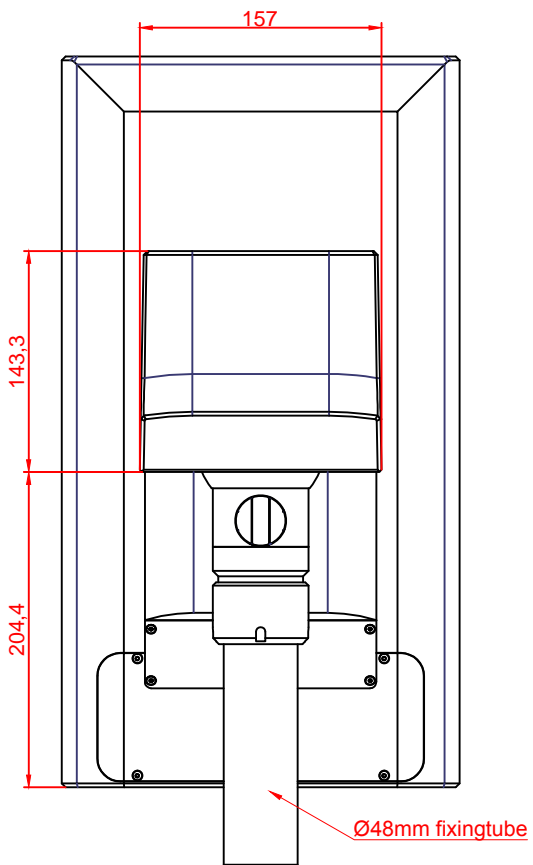
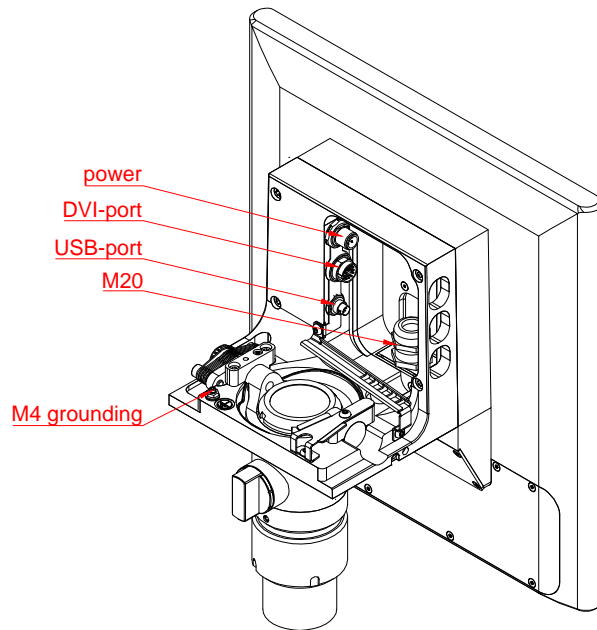
# CP3916-M575-G034-M753

## main dimensions and fixing points

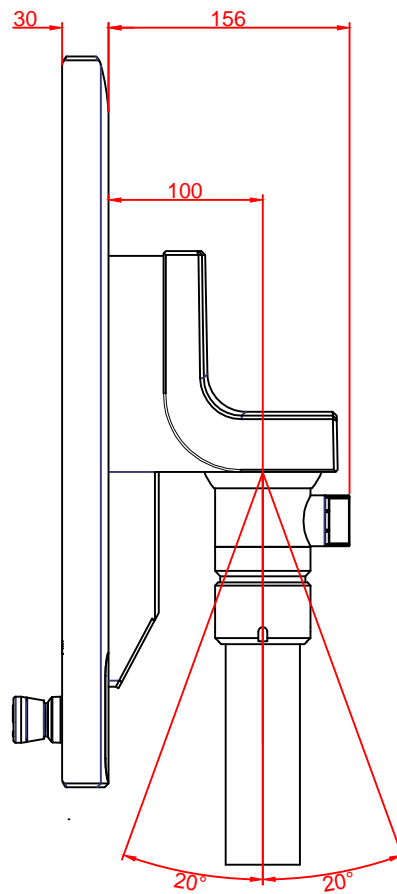
### dimensions in mm



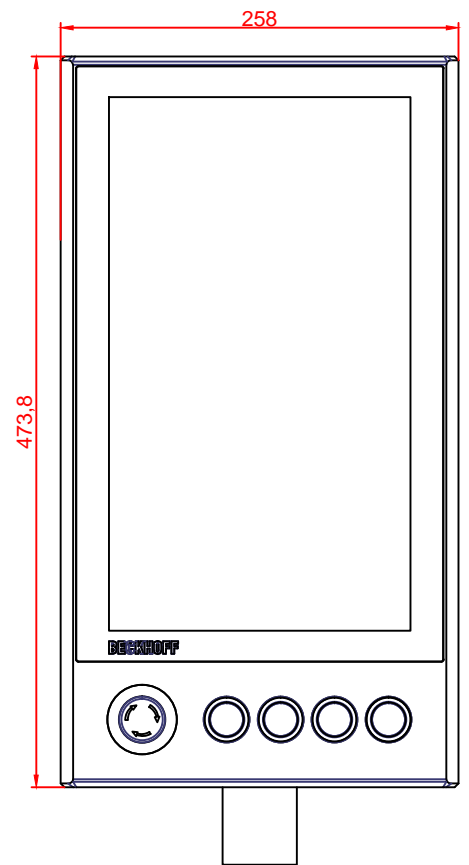
bottom view



rear view



left view



front view