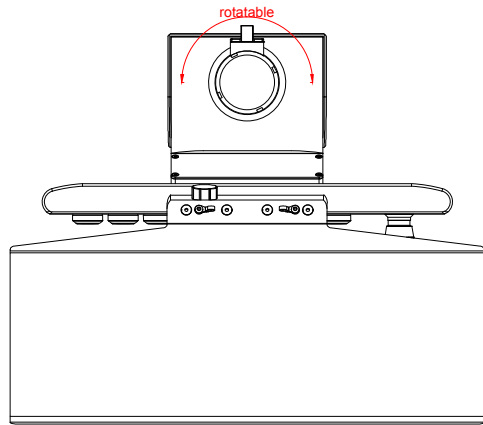


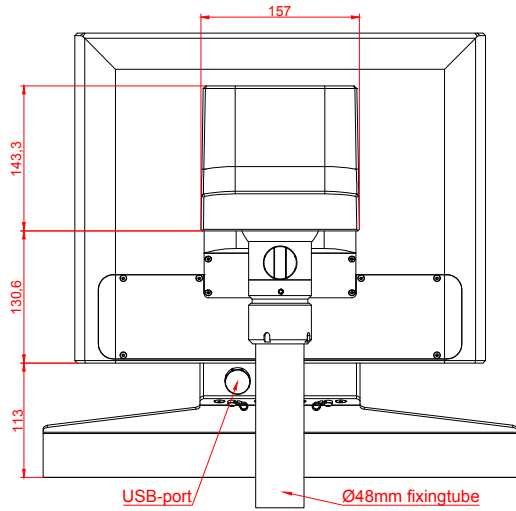
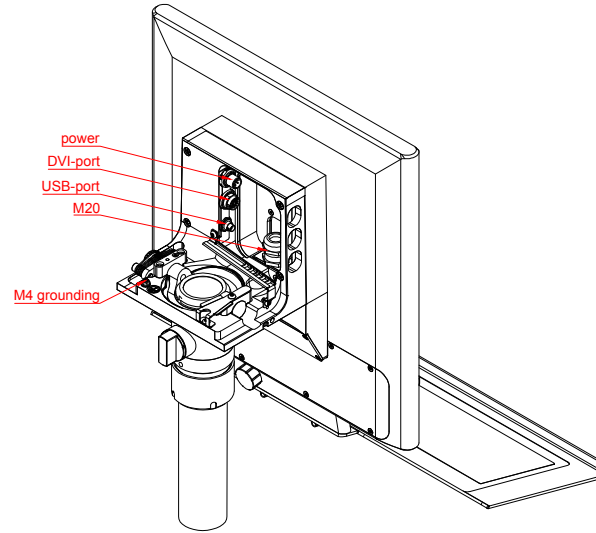
CP3916-G024-M753-M406

main dimensions and
fixing points

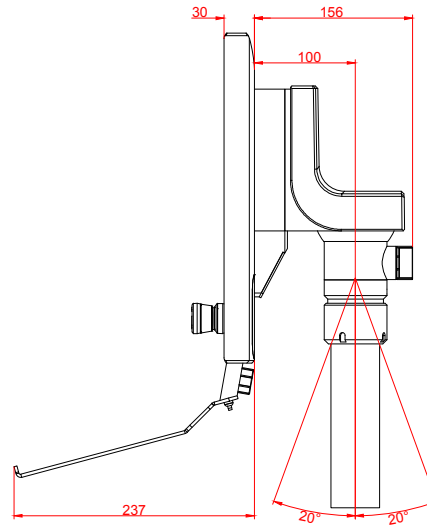
dimensions in mm



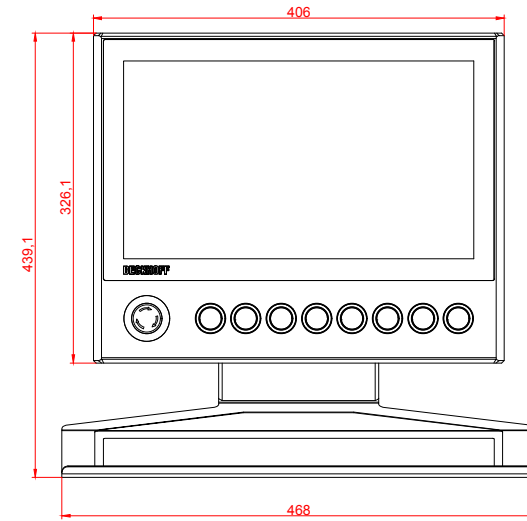
bottom view



rear view



right view



front view