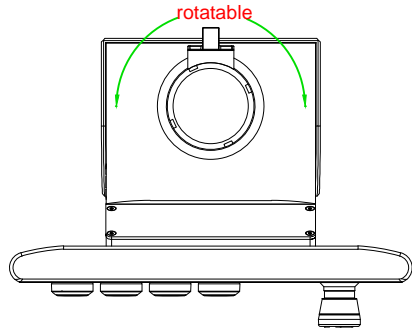


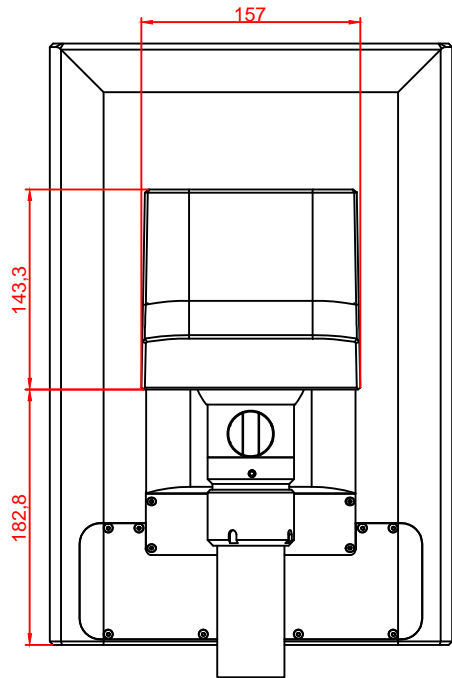
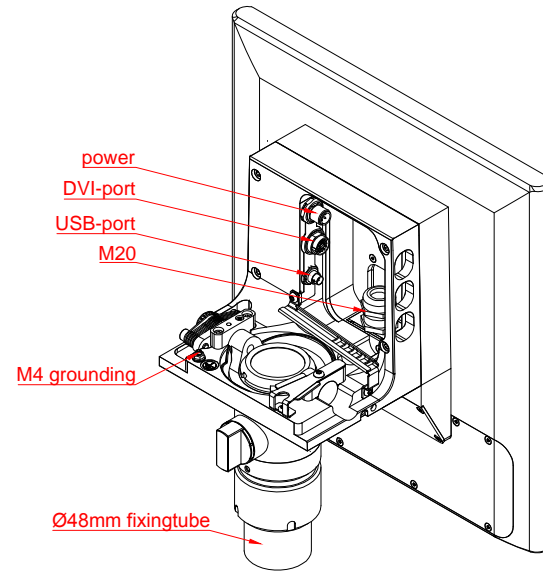
# CP3915-M575-G033-M753

main dimensions and  
fixing points

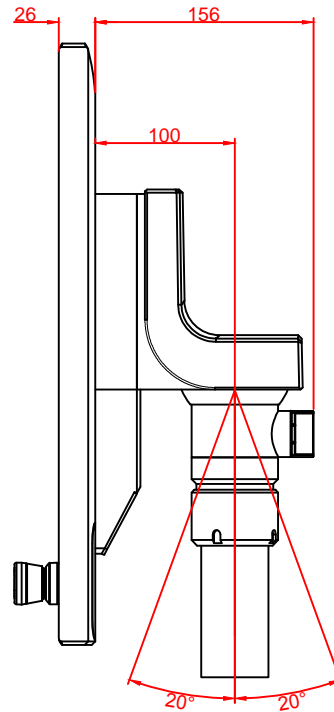
dimensions in mm



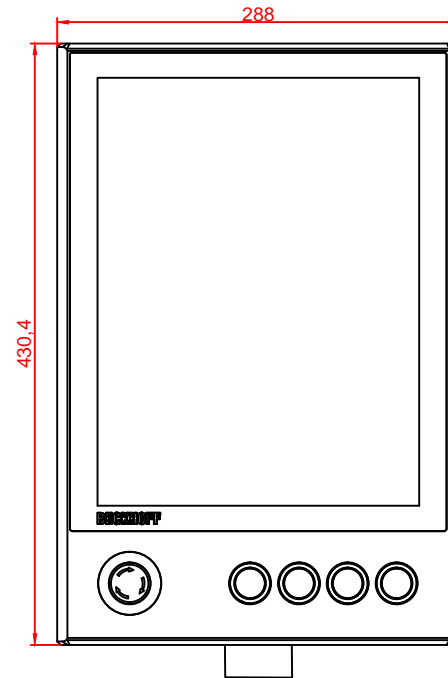
bottom view



rear view



left view



front view