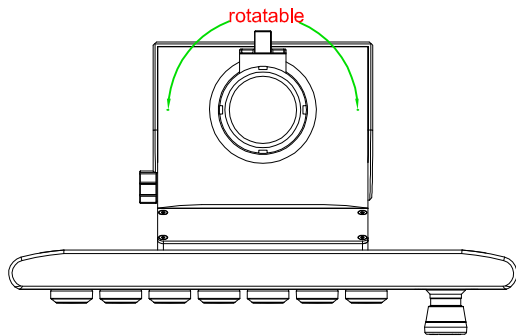


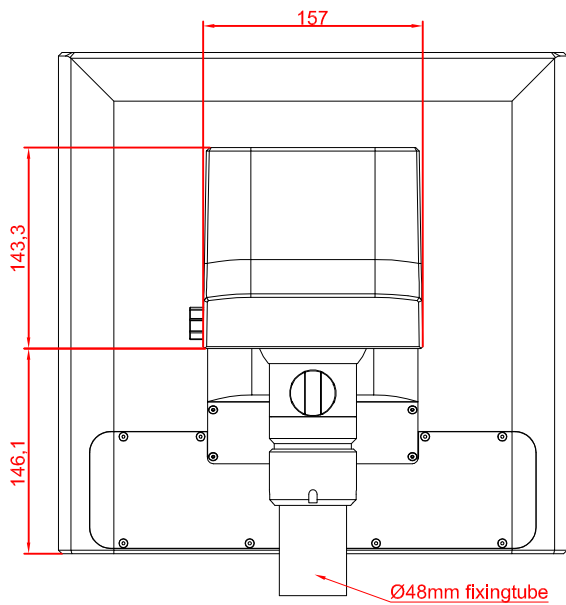
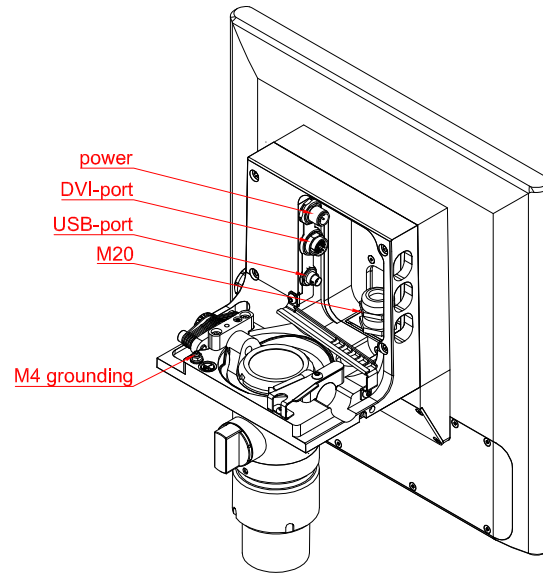
CP3915-G023-M753-E274

main dimensions and  
fixing points

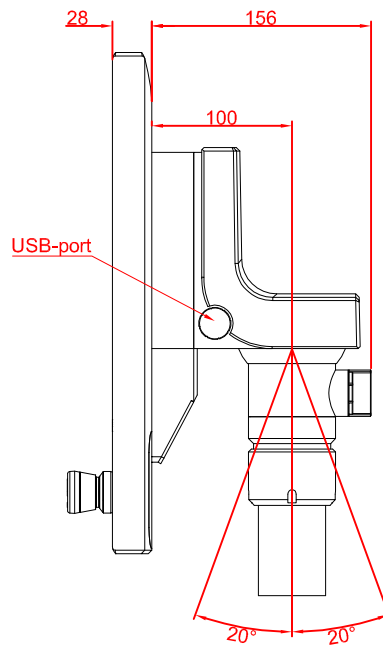
dimensions in mm



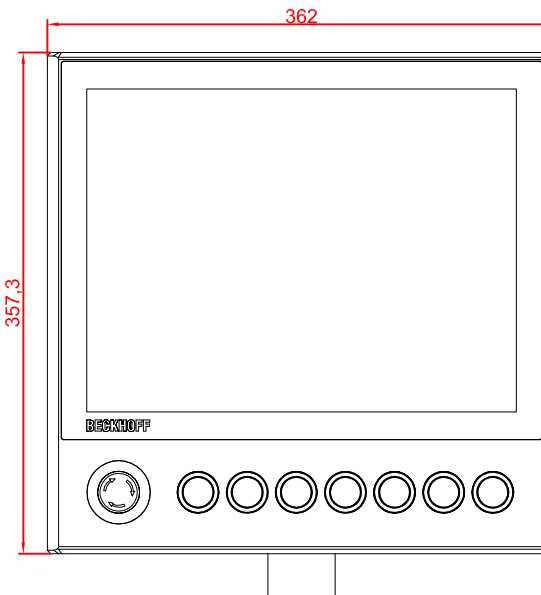
bottom view



rear view



left view



front view