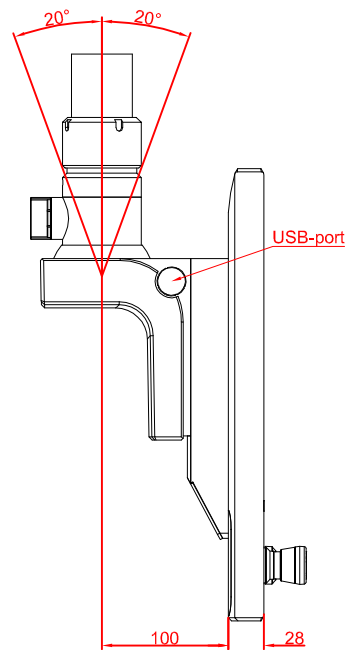
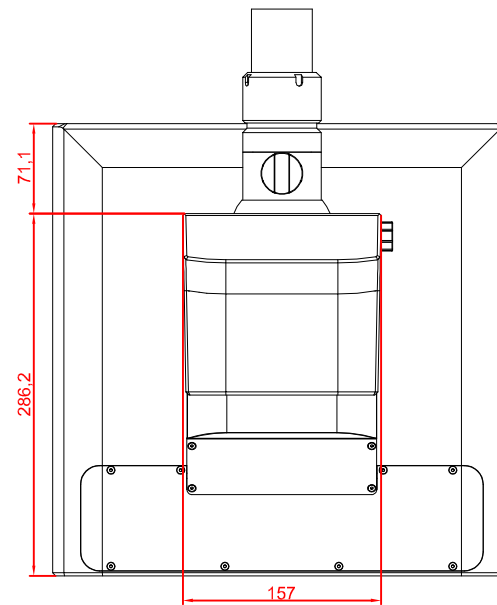


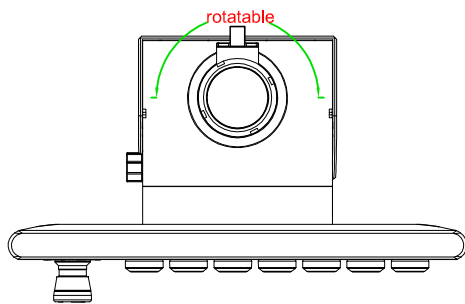
front view



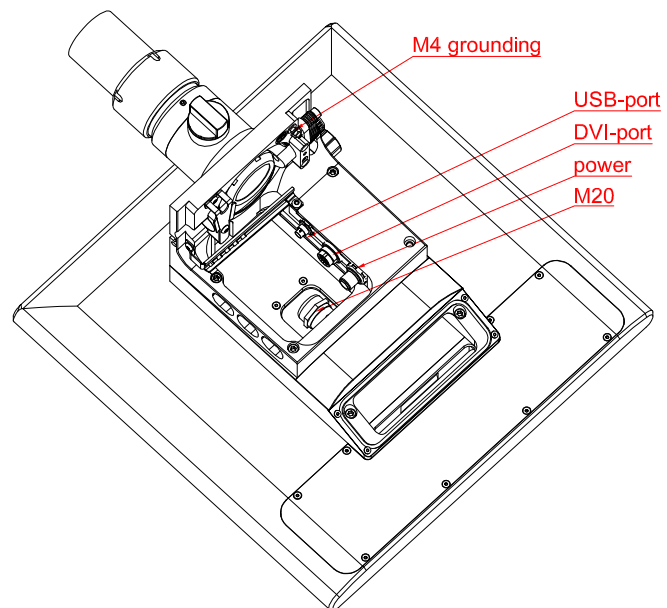
left view



rear view



top view



CP3915-G023-M752-E274

main dimensions and  
fixing points

dimensions in mm