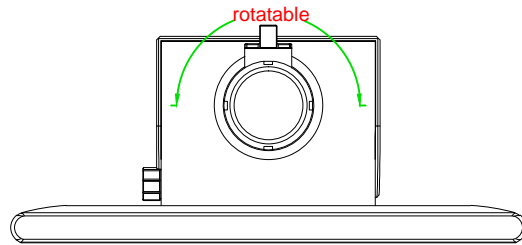


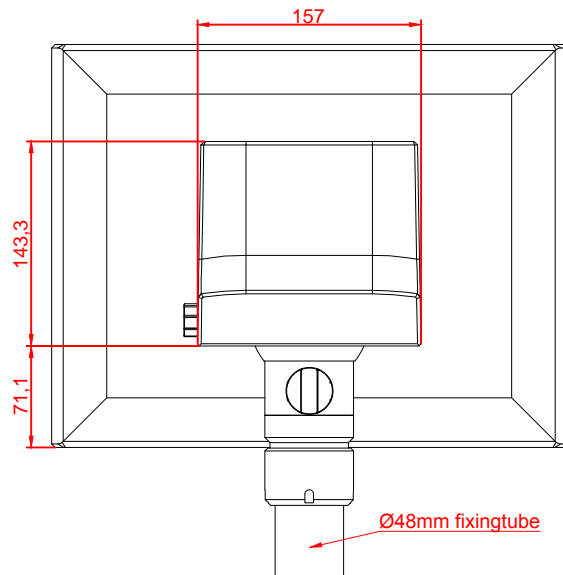
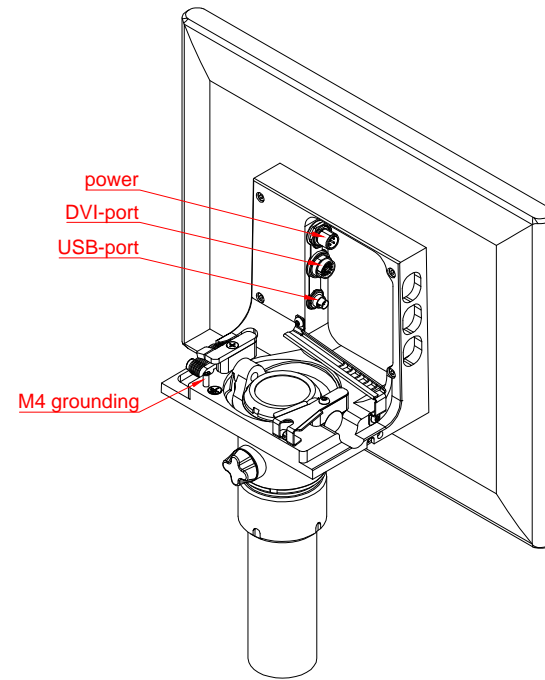
# CP3915-M751-E274

main dimensions and  
fixing points

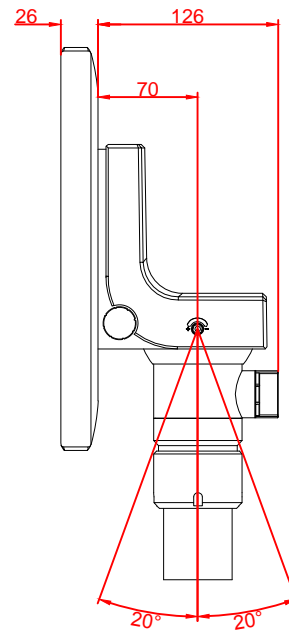
dimensions in mm



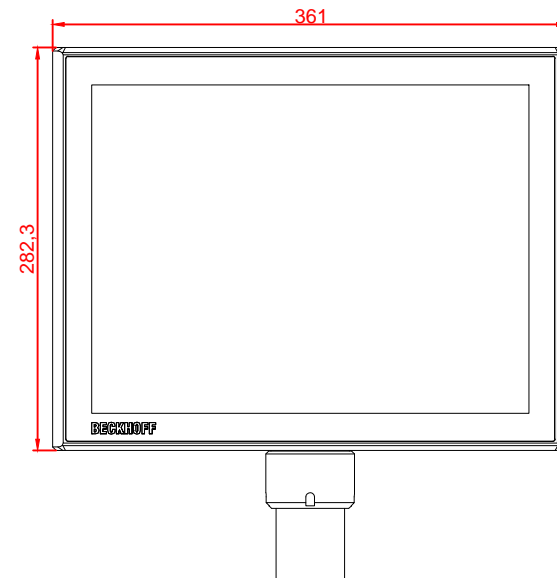
bottom view



rear view



right view



front view