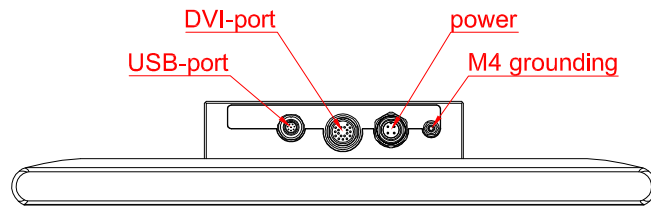


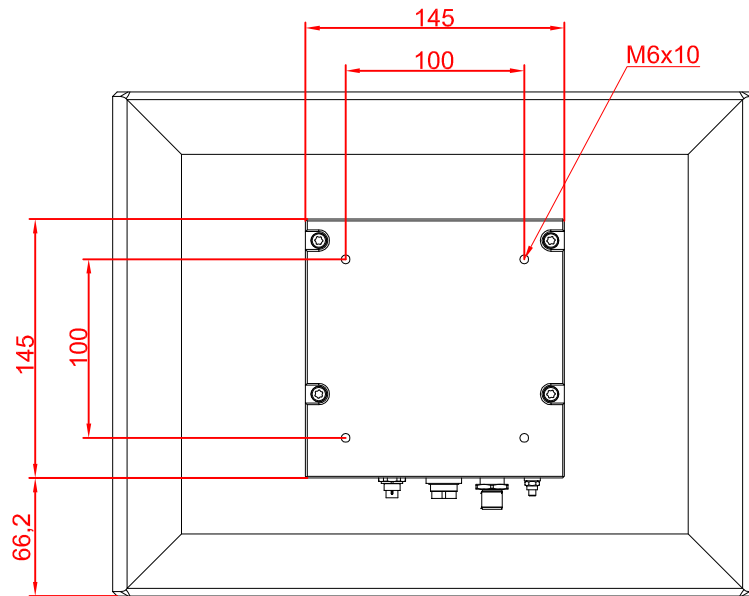
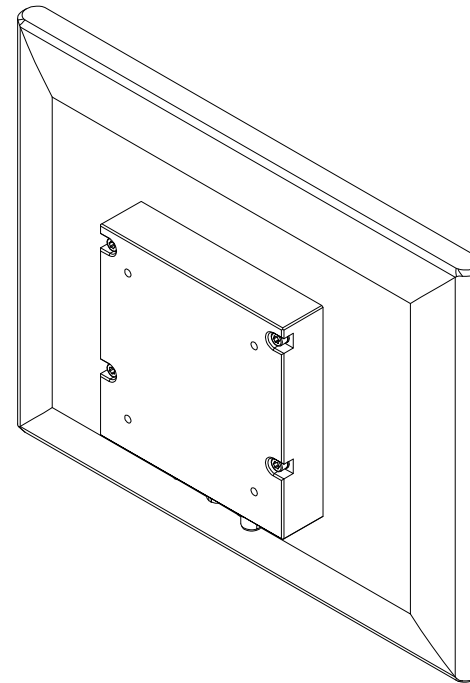
# CP3915

main dimensions and  
fixing points

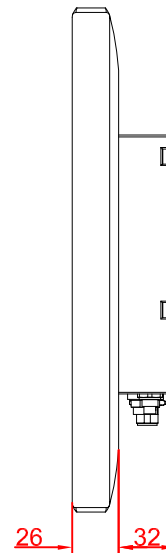
dimensions in mm



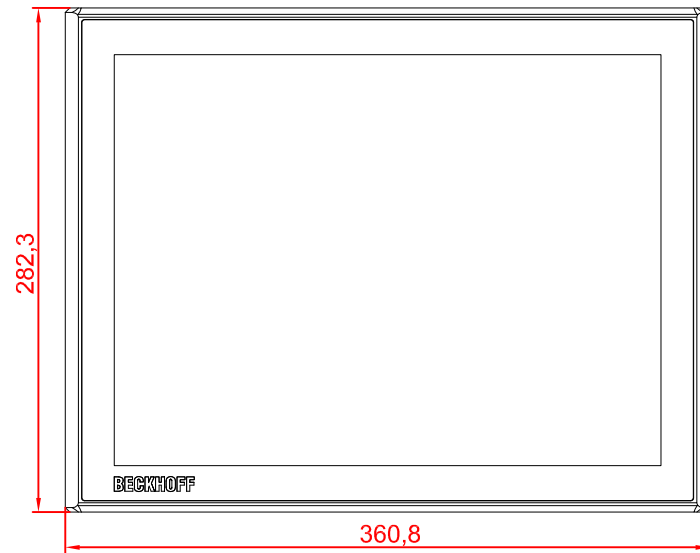
bottom view



rear view



right view



front view