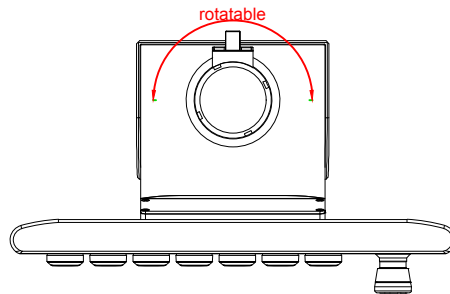


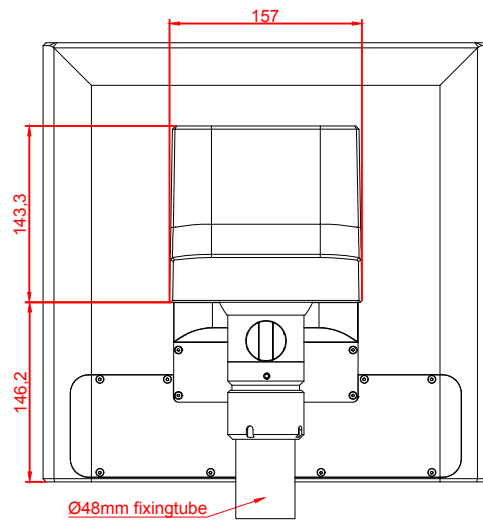
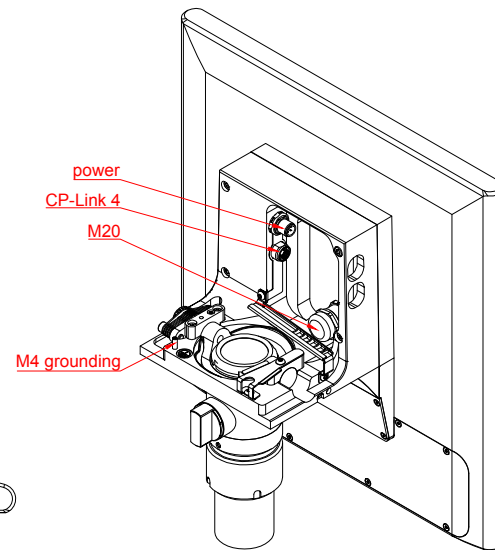
CP3915-G023-0010-M753

main dimensions and
fixing points

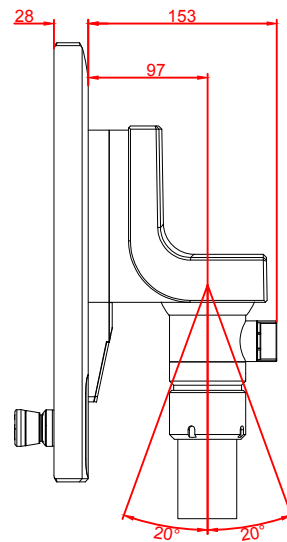
dimensions in mm



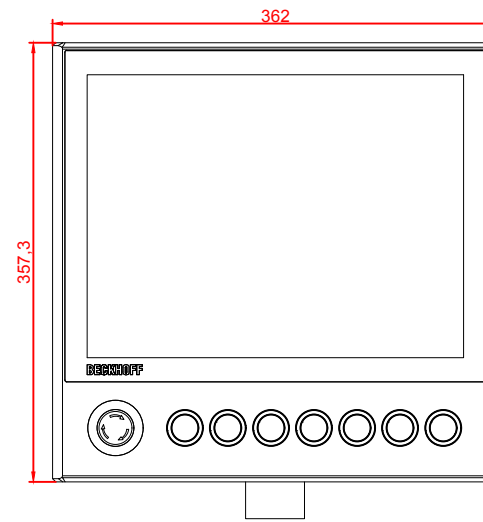
bottom view



rear view



right view



front view