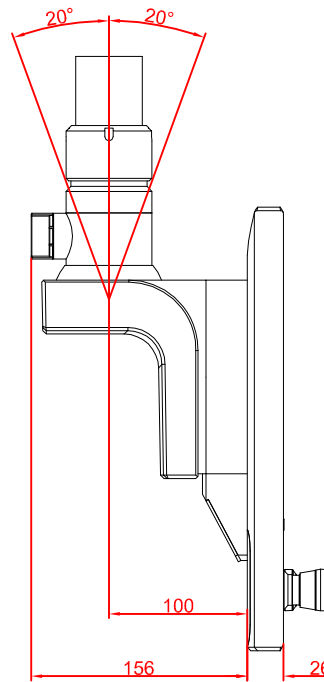
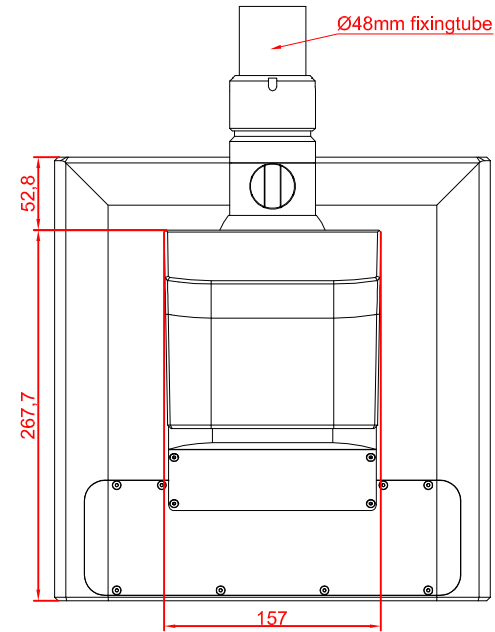


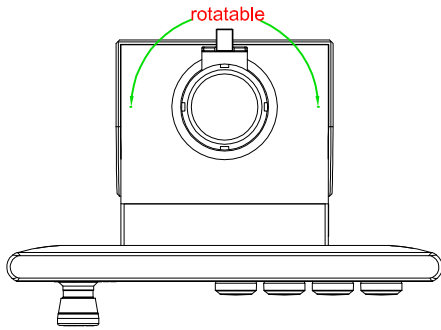
front view



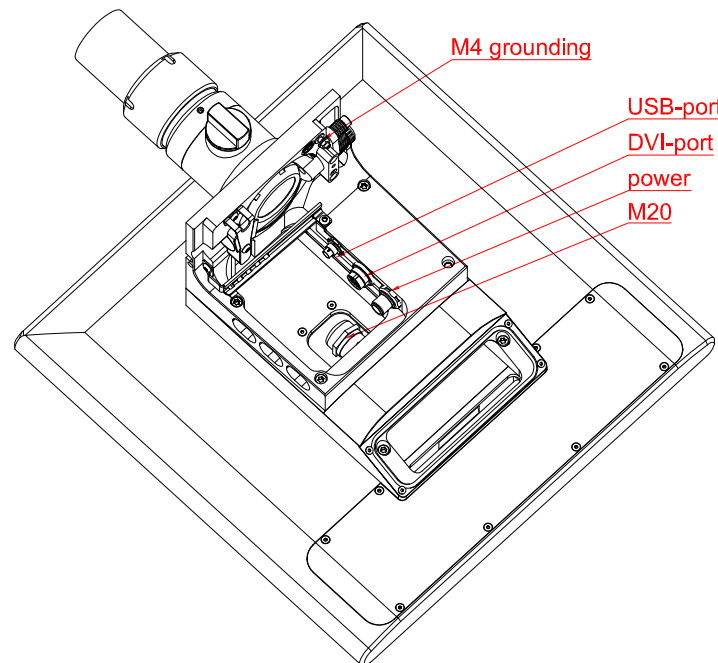
left view



rear view



top view



CP3912-G022-M752

main dimensions and
fixing points

dimensions in mm