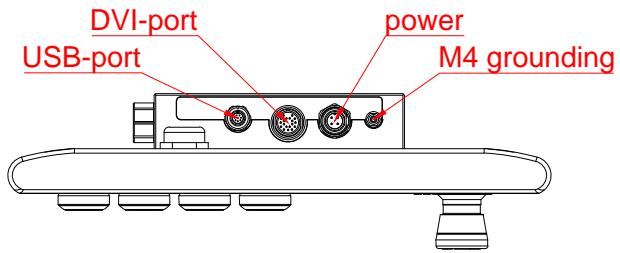


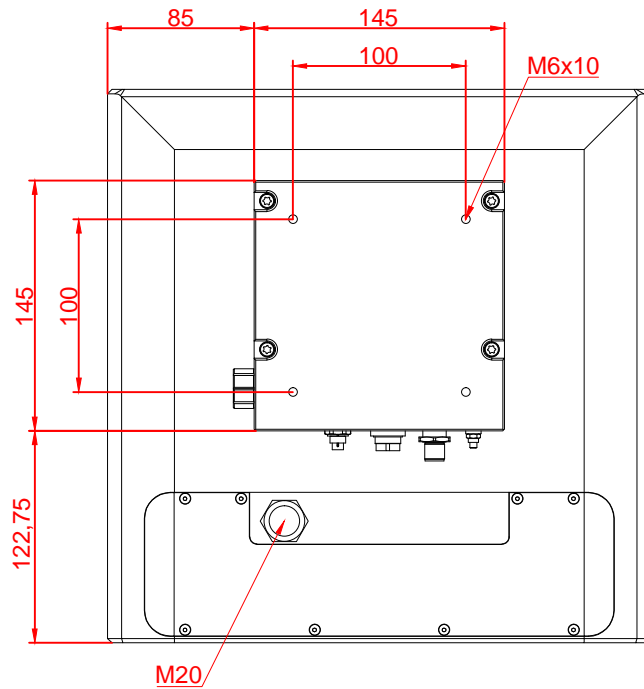
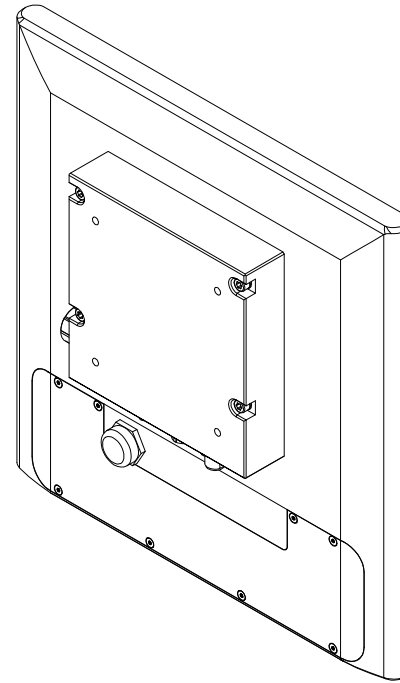
CP3912-G022-E274

main dimensions and
fixing points

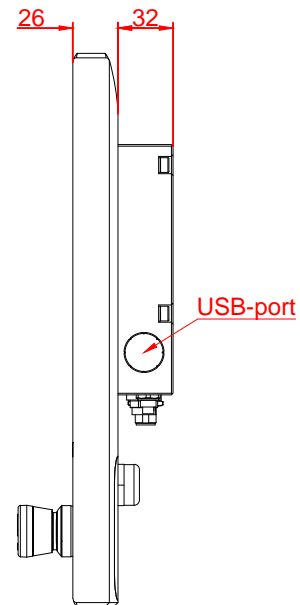
dimensions in mm



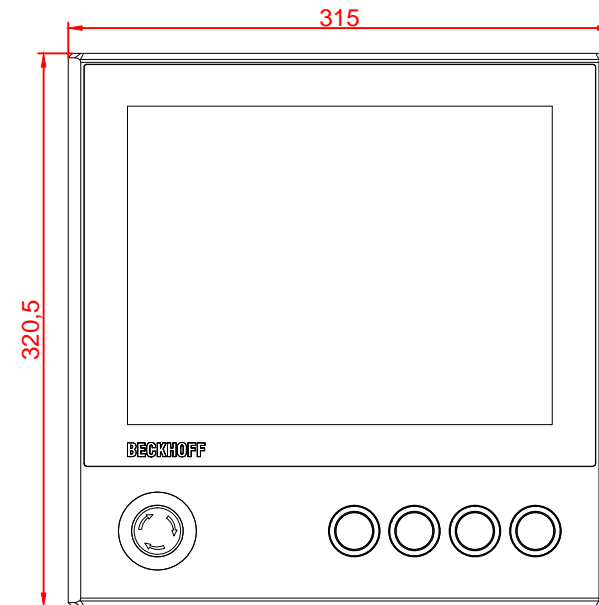
bottom view



rear view



left view



front view