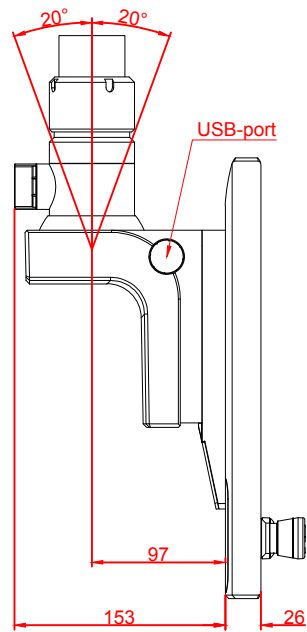
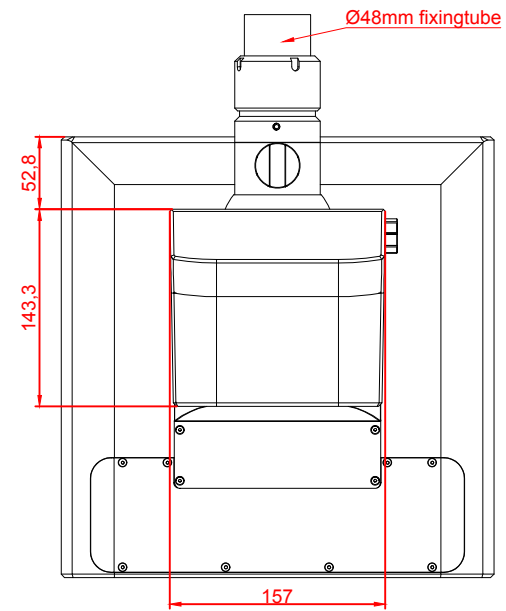


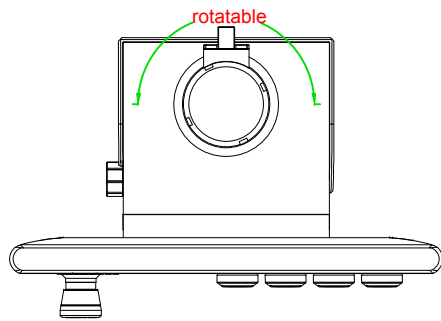
front view



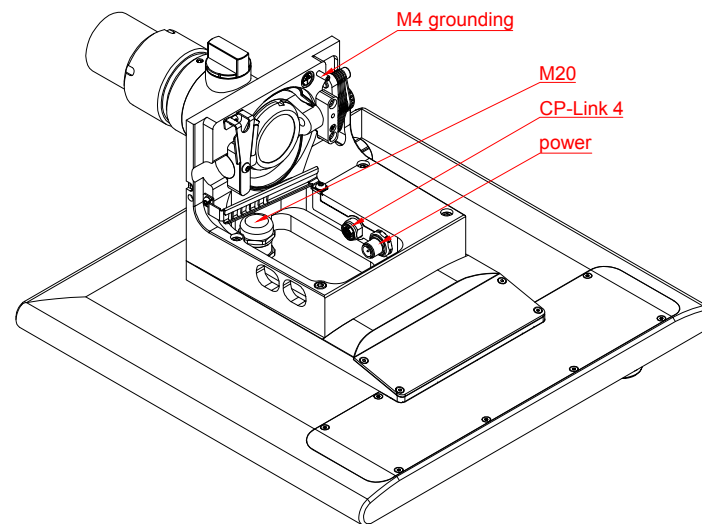
left view



rear view



top view



CP3912-G022-0010-M752-E274

main dimensions and  
fixing points

dimensions in mm