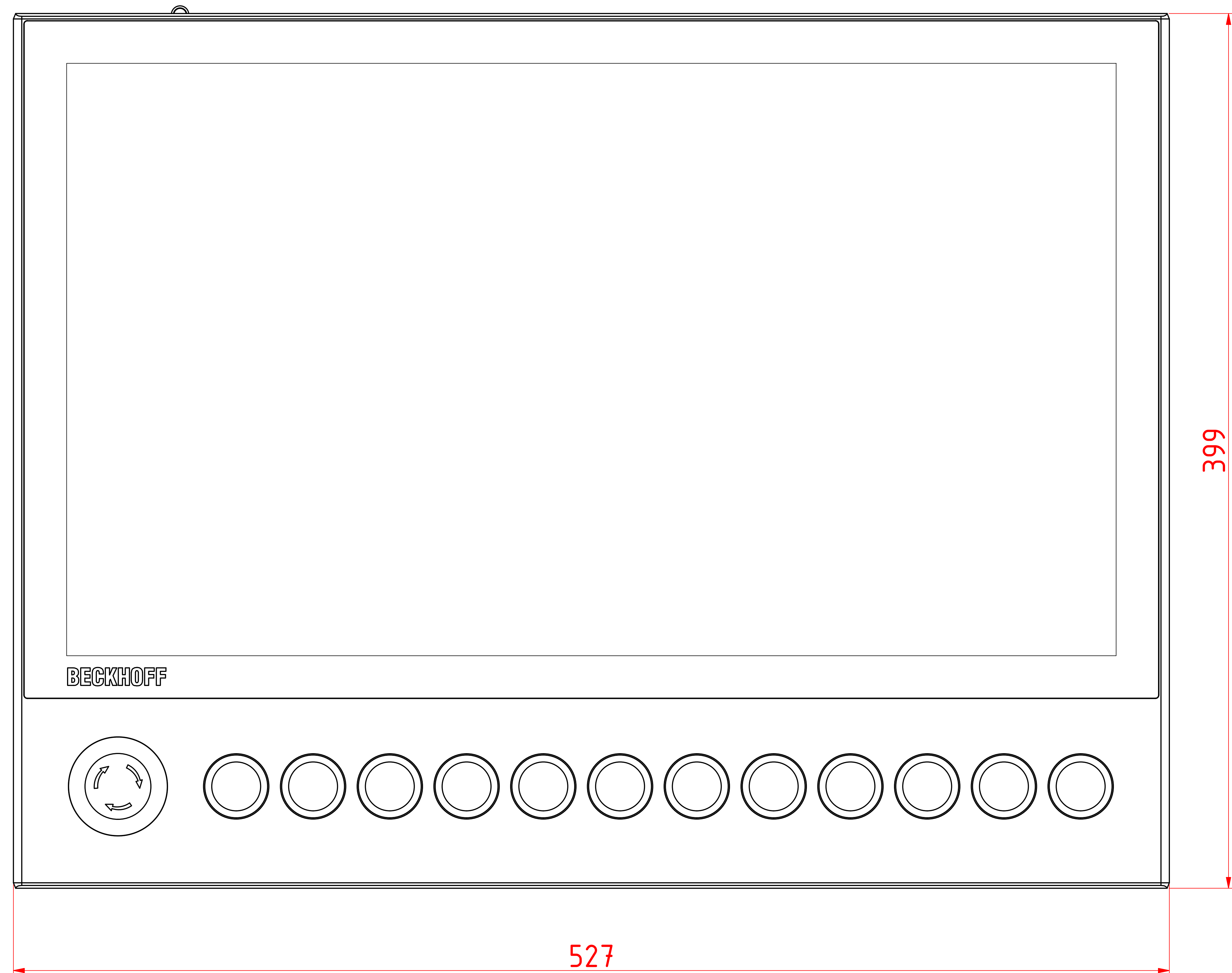
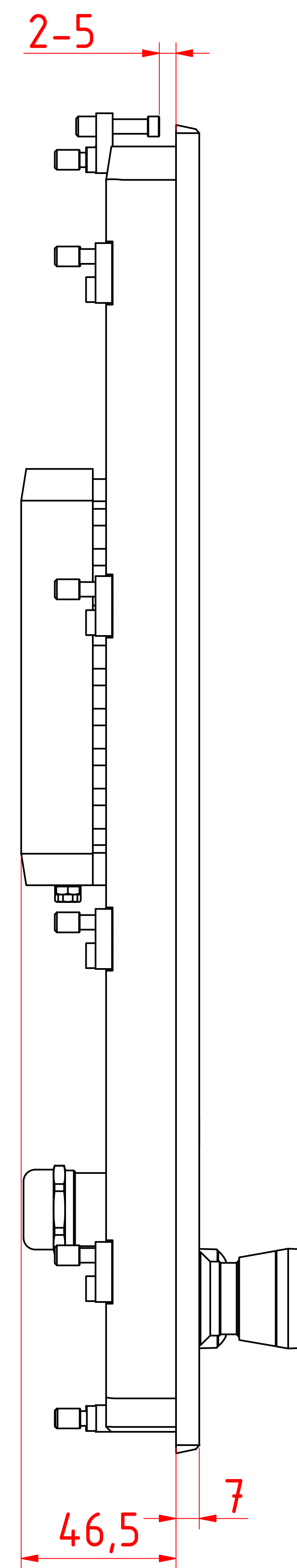


CP2921 G008
main dimensions and
fixing points

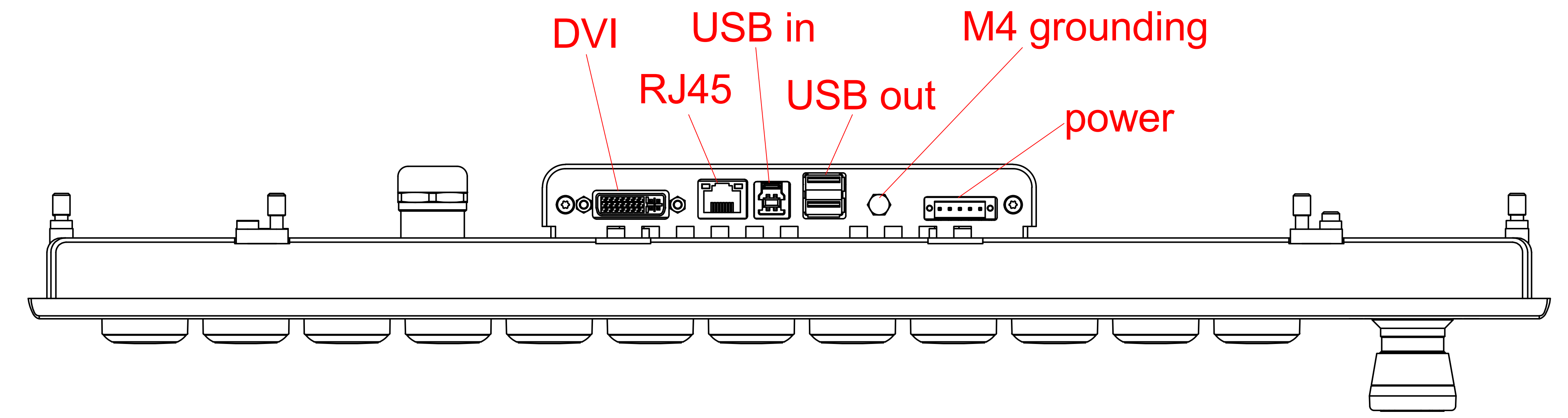
dimensions in mm



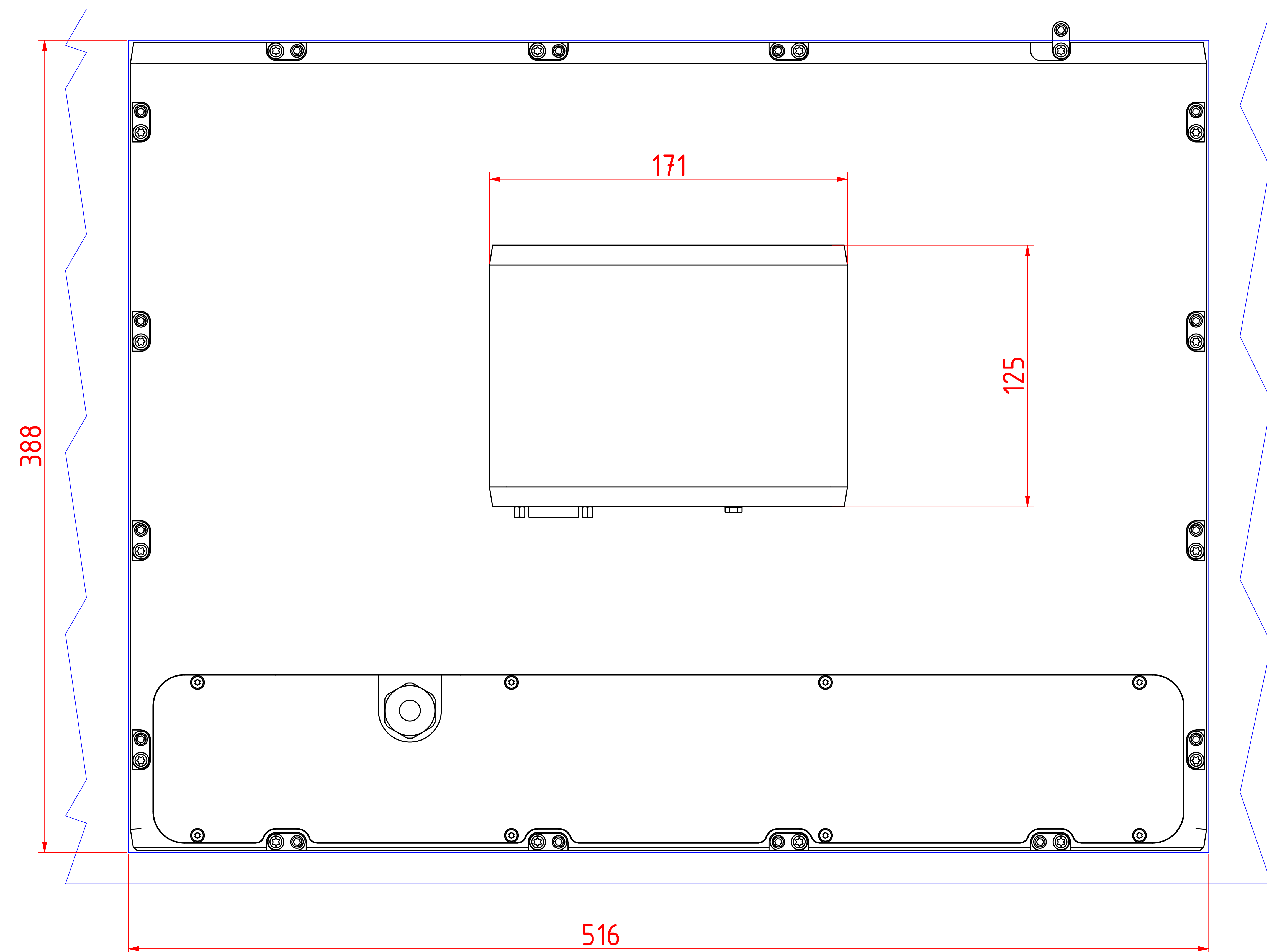
front view



left view



bottom view



cut out dimensions: 388mm x 516mm
rear view