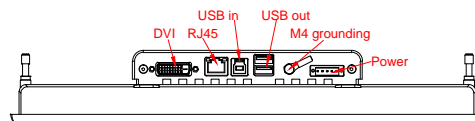


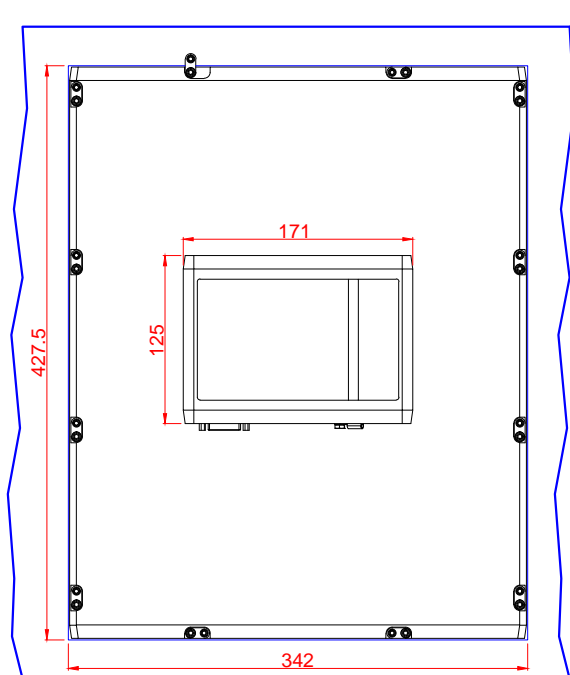
CP2919-M575

main dimensions and
fixing points

dimensions in mm

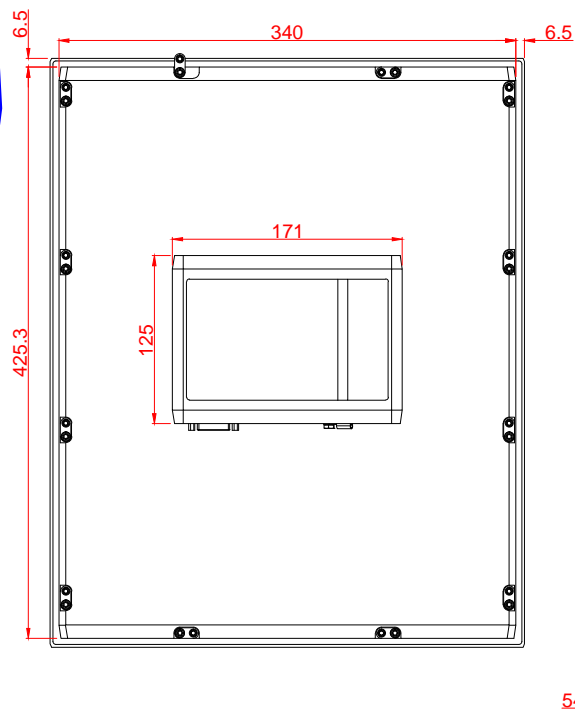


bottom view

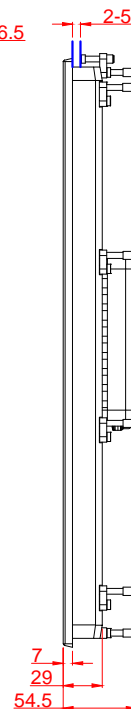


cut out dimensions: 342mm x 427,5mm

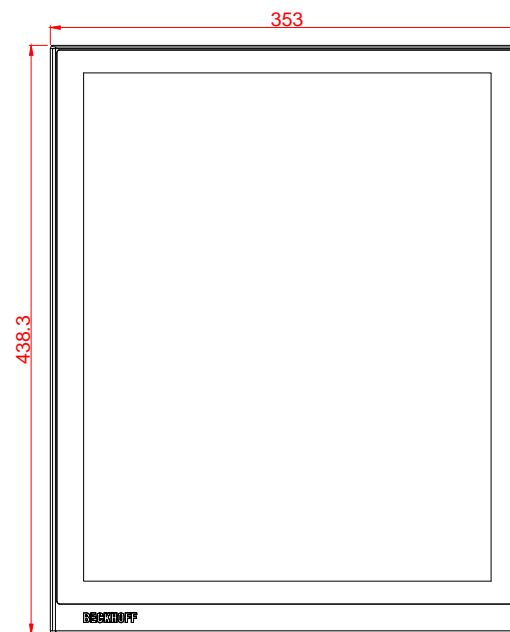
rear view with
install measure



rear view



left view



front view