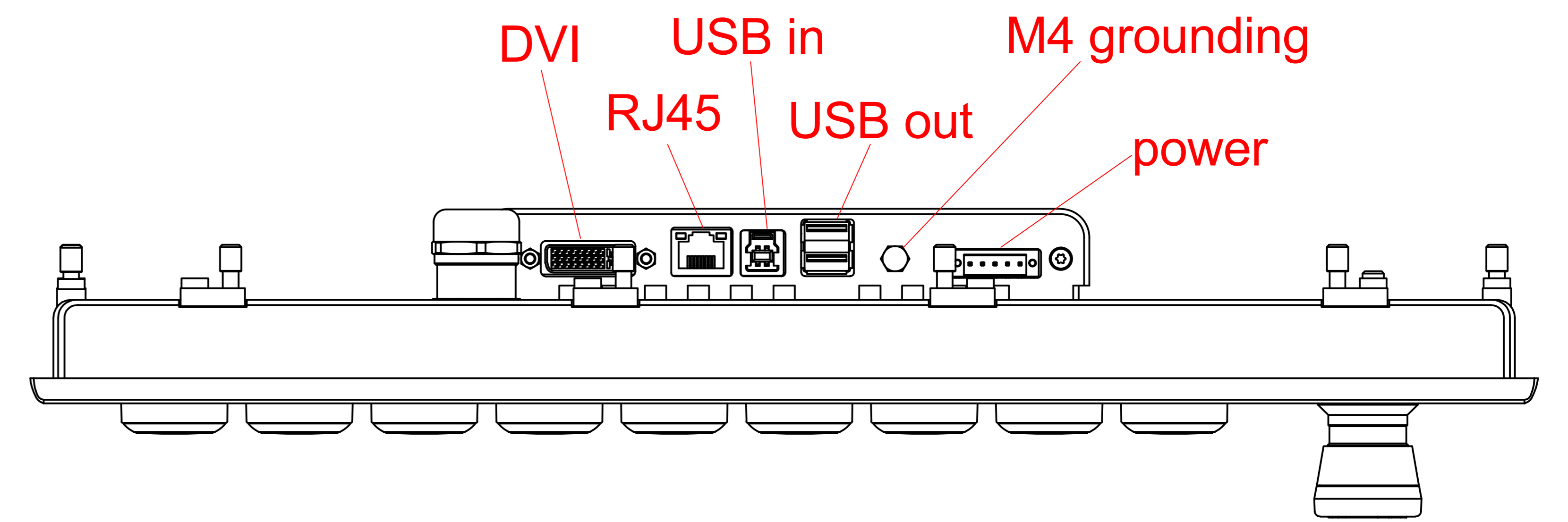
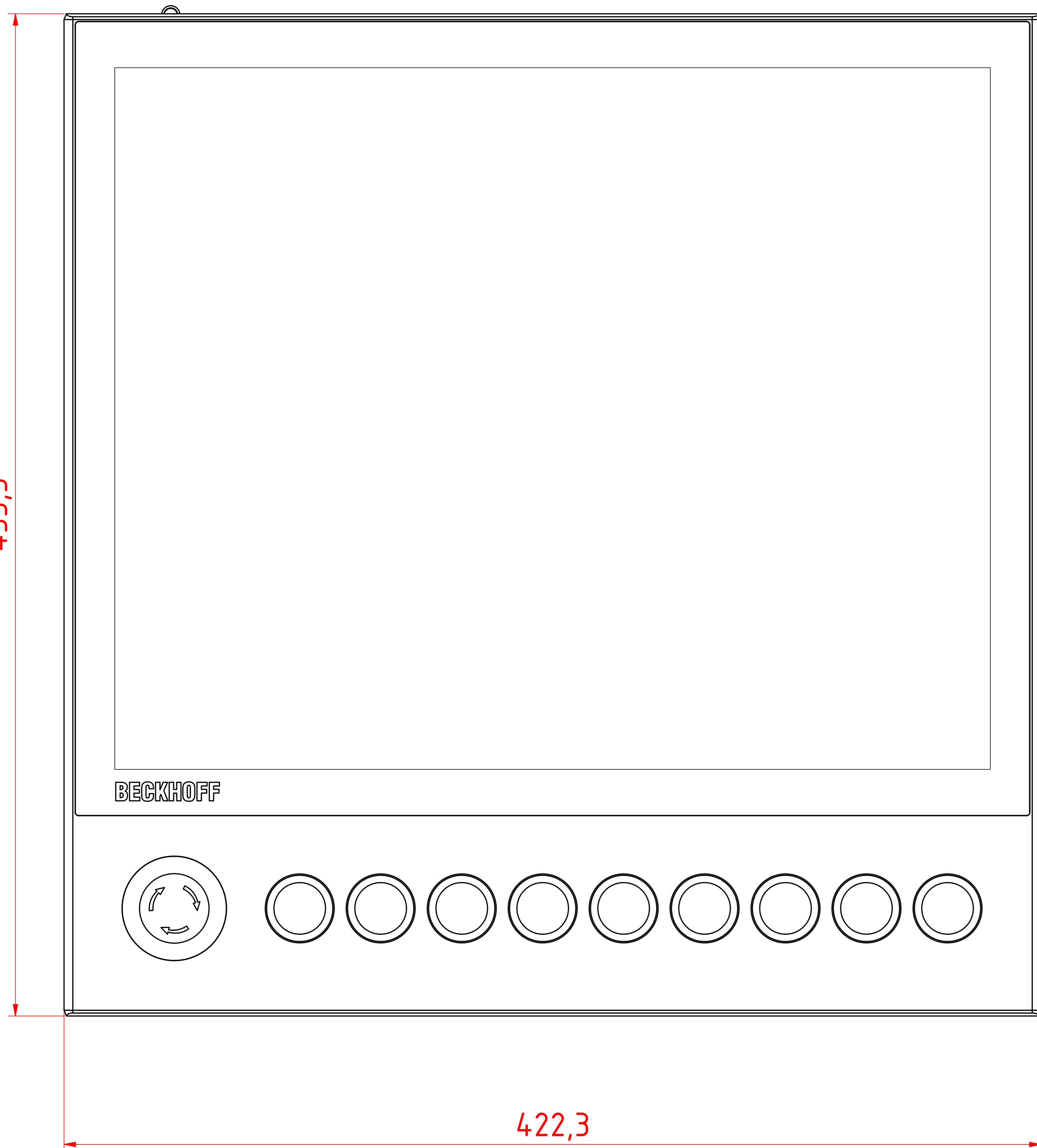


**CP2919 G006**  
main dimensions and  
fixing points

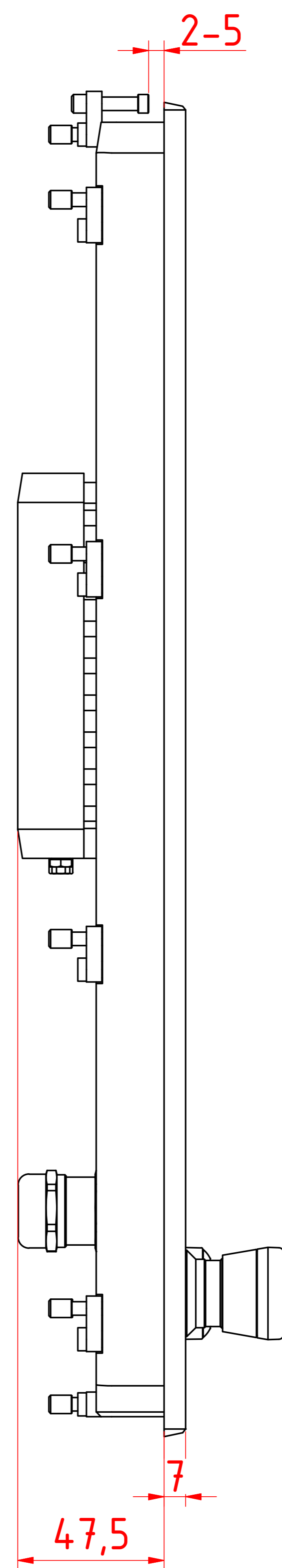
dimensions in mm



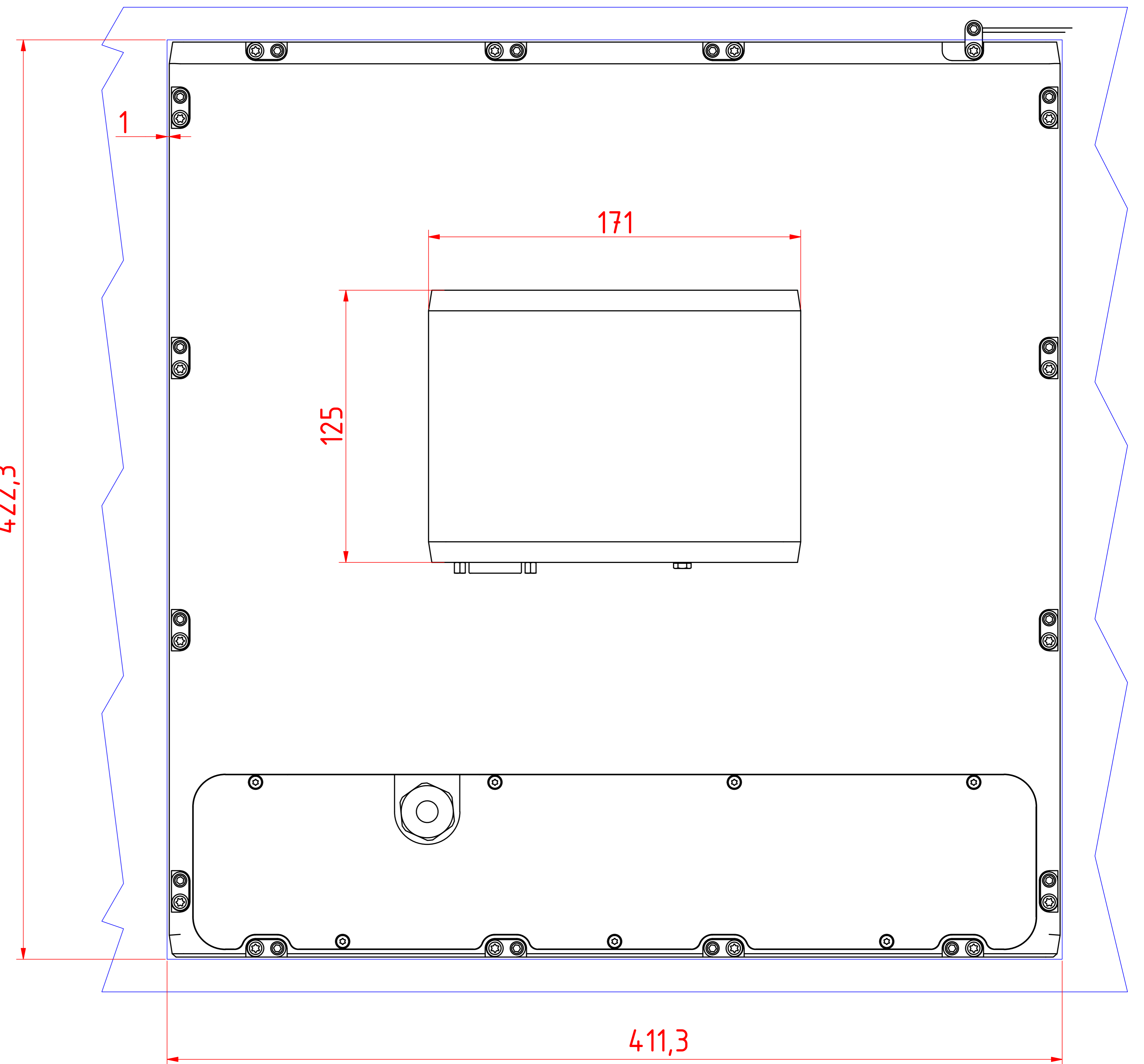
bottom view



front view



left view



cut out dimensions: 422.3mm x 411.3mm  
rear view