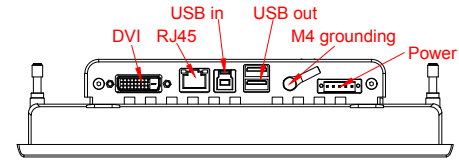
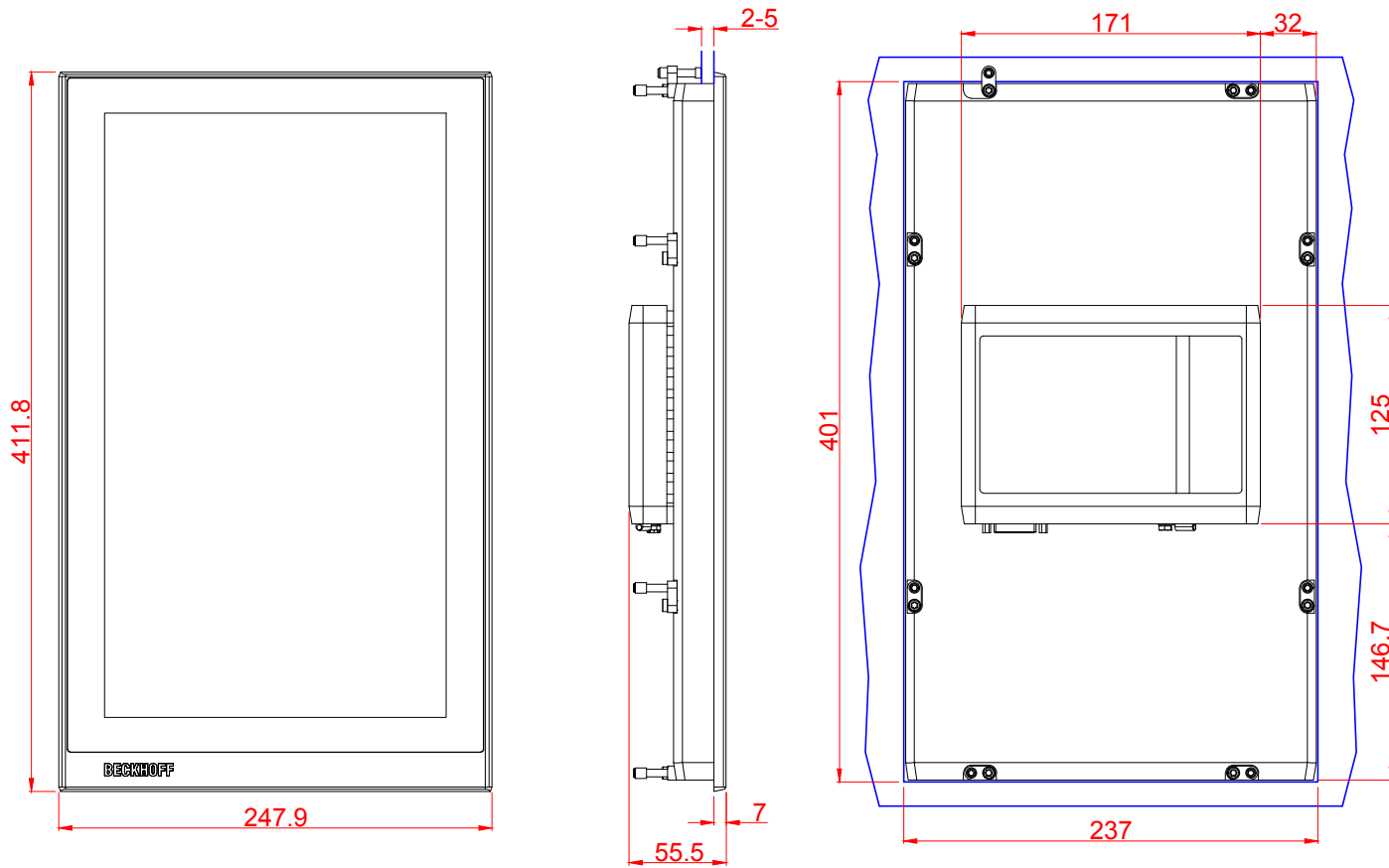


CP2916-M575  
main dimensions and  
fixing points  
dimensions in mm



bottom view



front view

left view

cut out dimensions: 401mm x 237mm

rear view