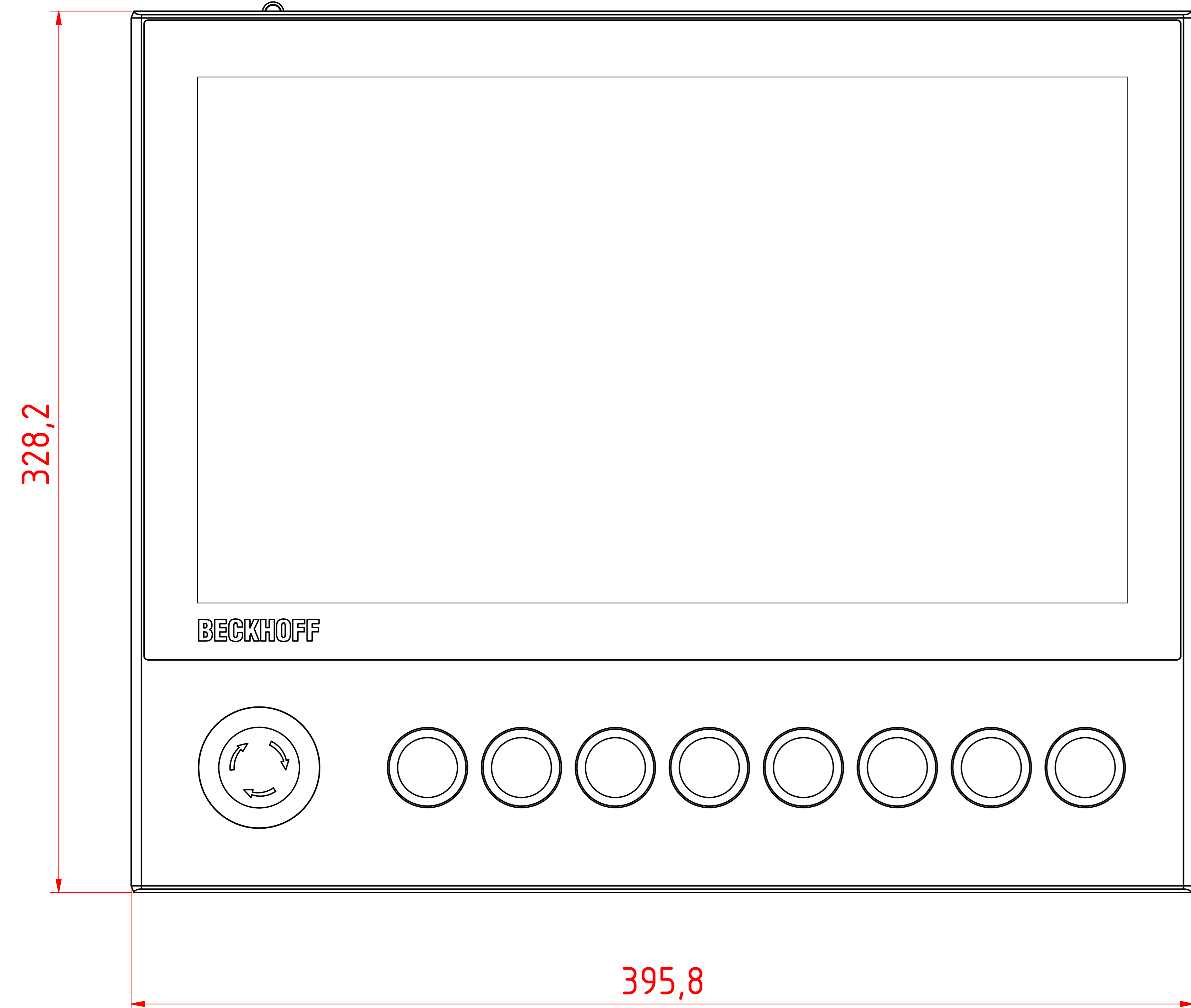
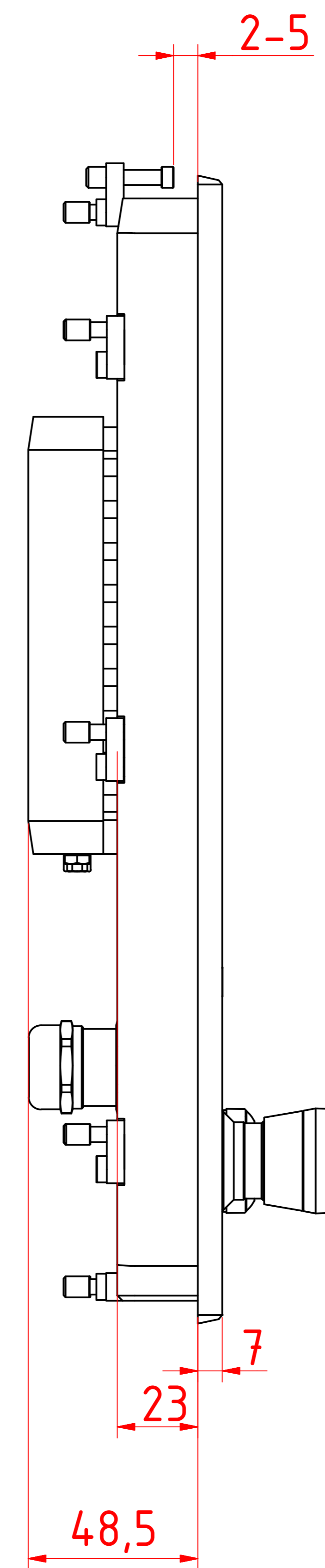


CP2916 G004
main dimensions and
fixing points

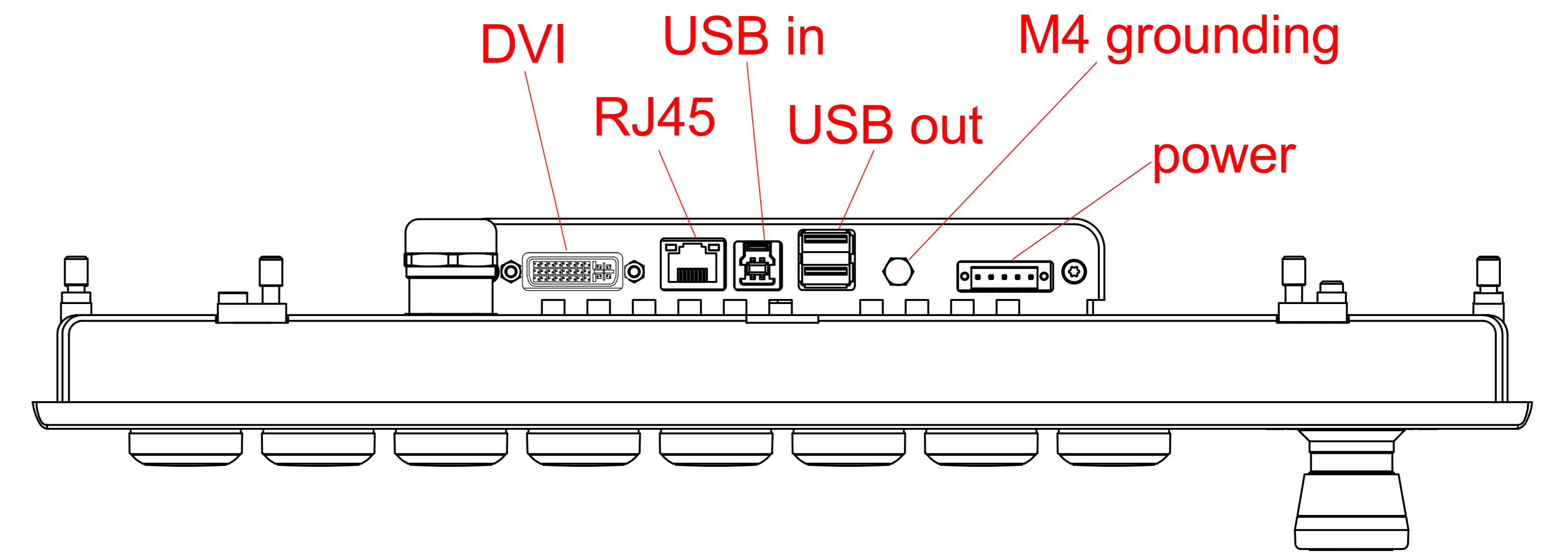
dimensions in mm



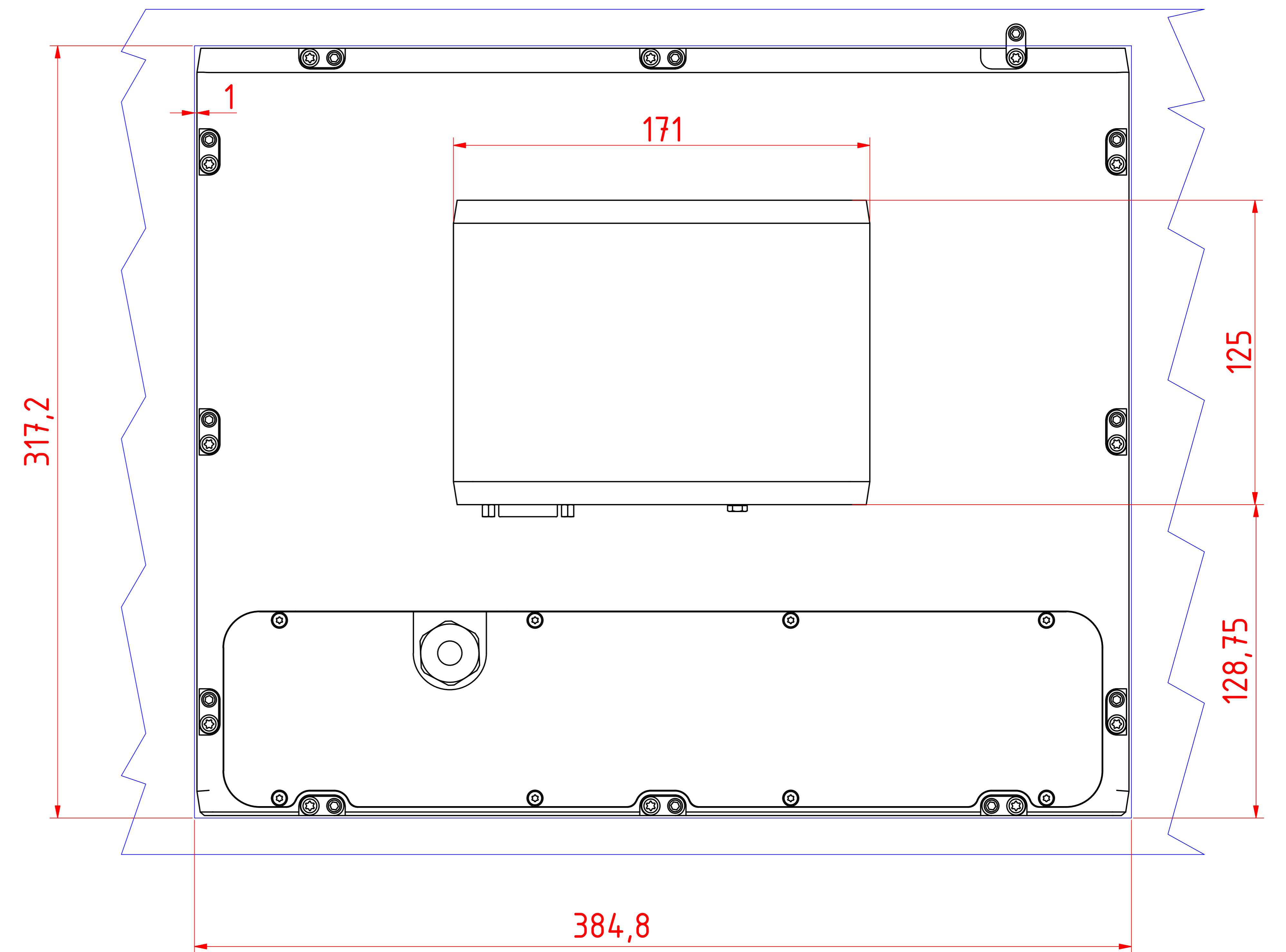
front view



left view



bottom view



cut out dimensions: 317.2mm x 384.8mm
rear view