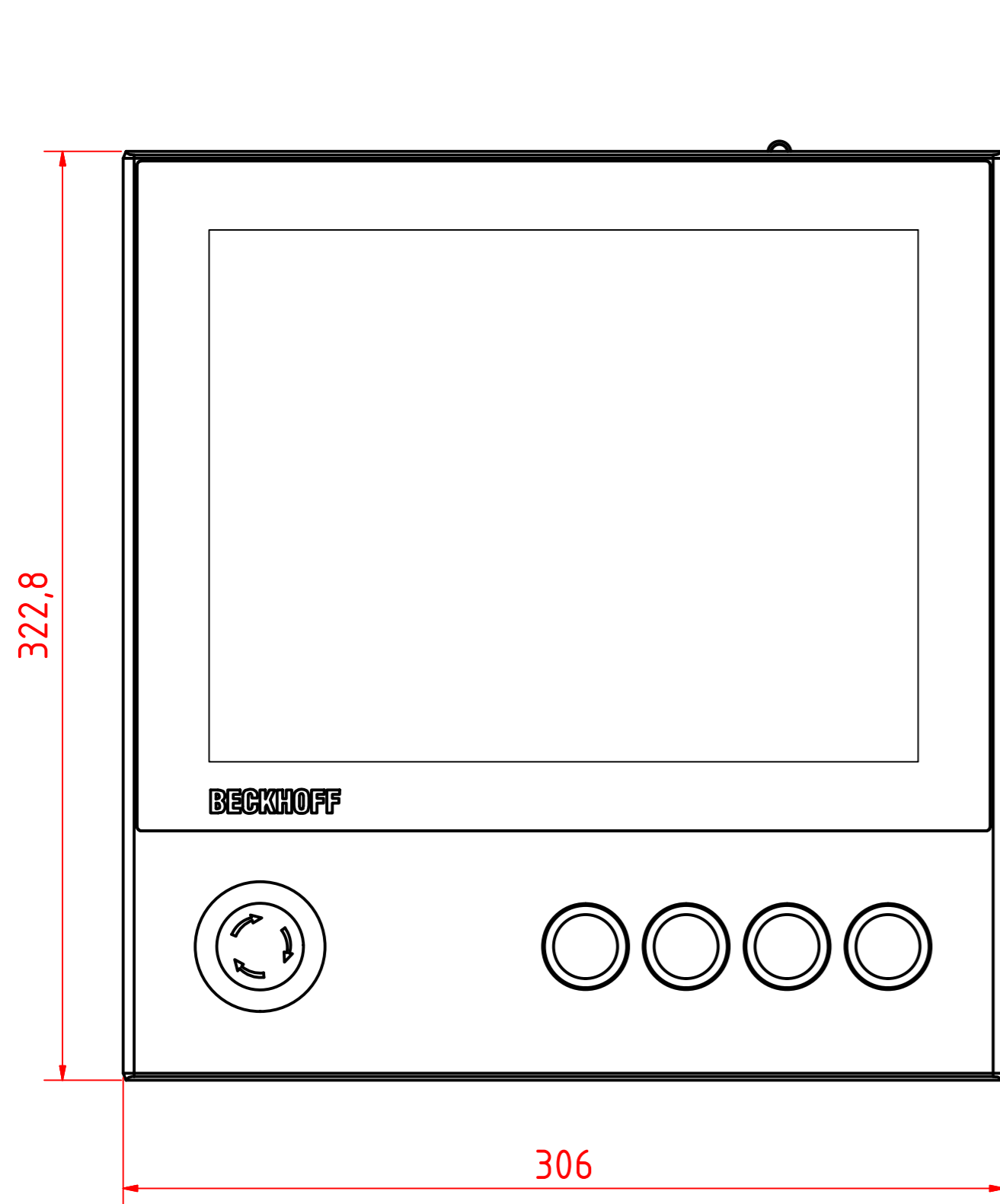
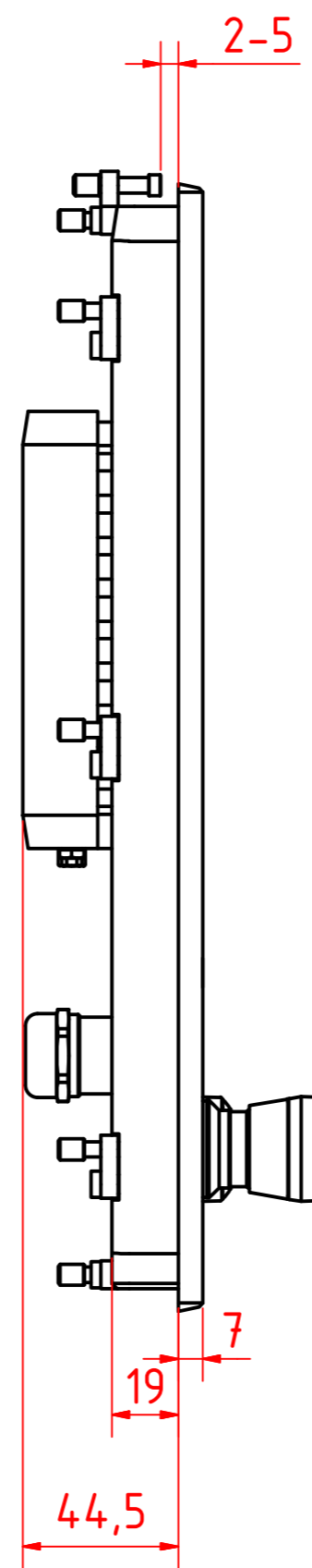


CP2912 G002
main dimensions and
fixing points

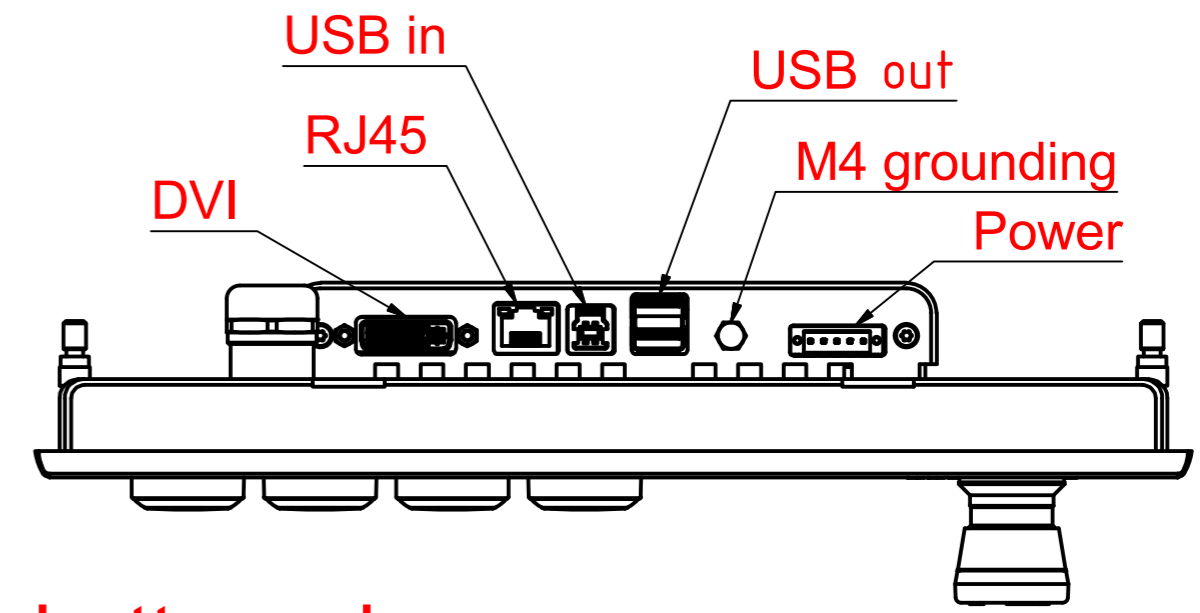
dimensions in mm



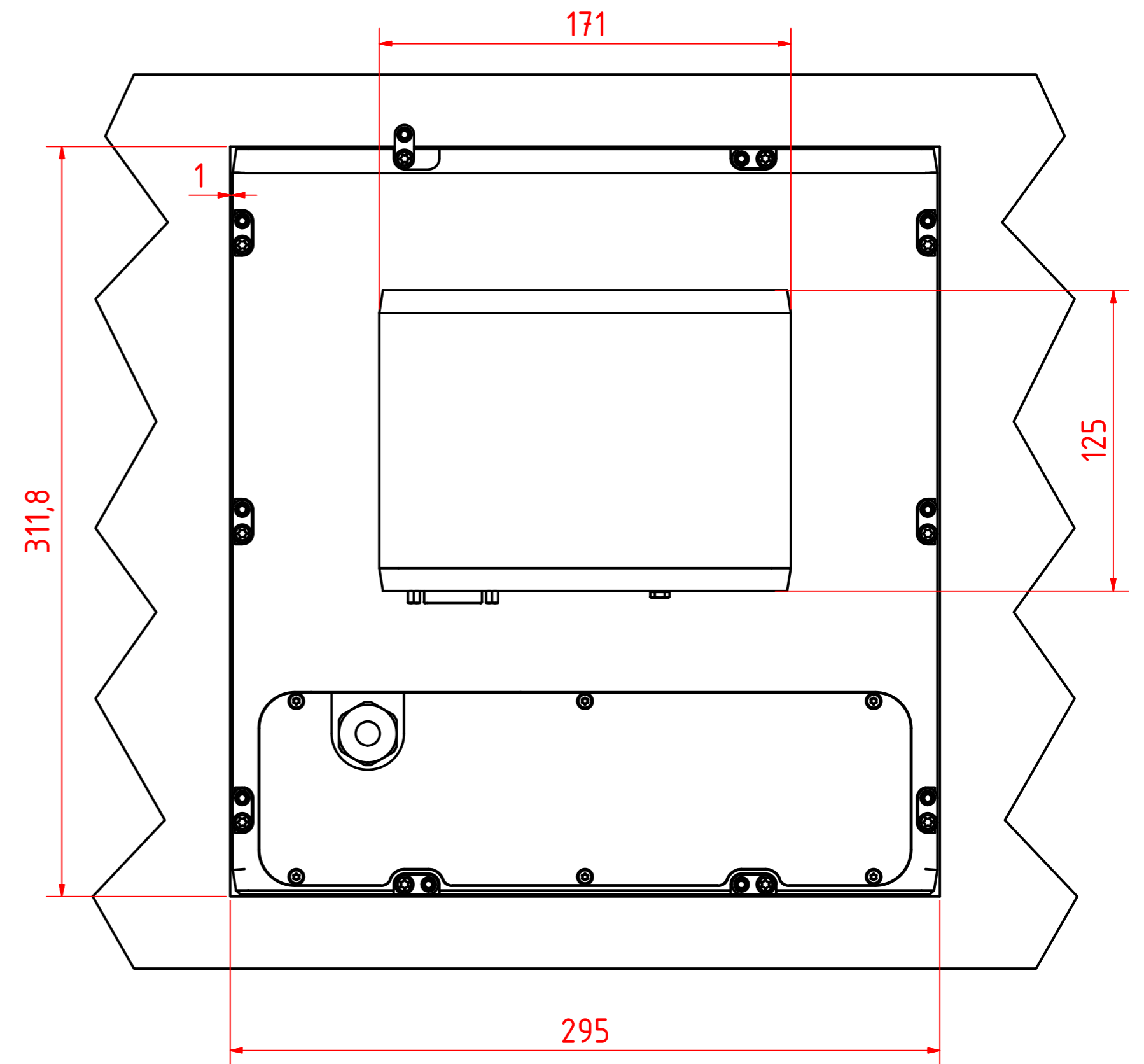
front view



left view



bottom view



cut out dimensions: 311.8 x 295

rear view