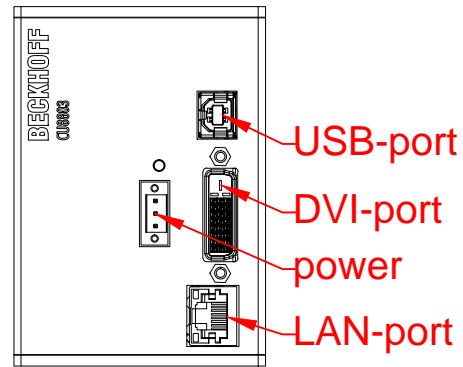


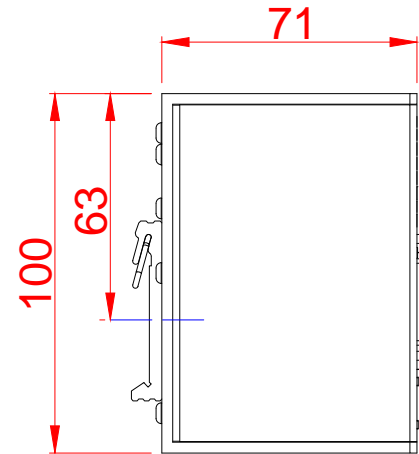
CU8803

main dimensions and
fixing points

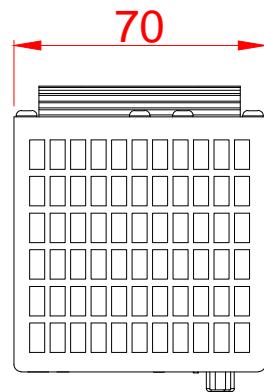
dimensions in mm



front view



left view



top view

