

# ZS2020-6711 | M12, power, field assembly, plug, straight, male, 5-pin, L-coded, IP67



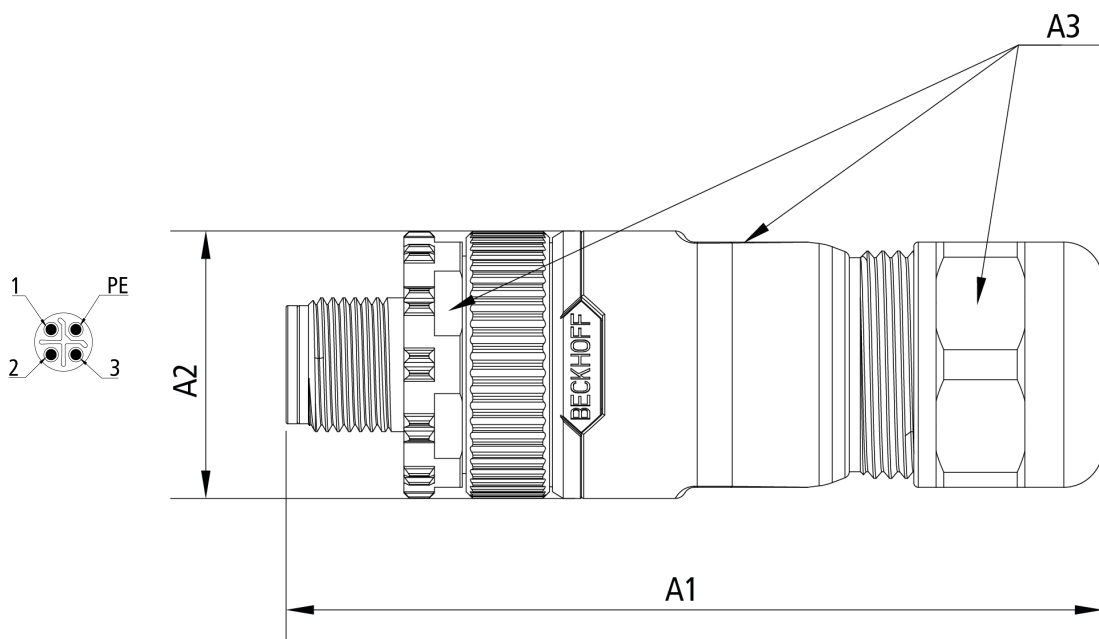
M12, plug, straight, male, 4-pin, S-coded



Electrical data	
Rated voltage	63 V AC/DC
Rated current	12 A at 40°C (according to IEC 61076-2-111)
Contact resistance	< 10 mΩ
Insulation resistance	≥ 100 MΩ
Mechanical data	
Accessories type	Connectors/Cables
Installation size	M12
Connector type	plug
Configuration	straight
Contact type	male
Number of positions (face)	4-pin
Coding	S-coded
Mating cycles	≥ 100
Body color	black
Flange housing material	PA 66 UL 94 HB
Coupling nut material	PA

Contact material	brass/gold plated
Max. wire cross-section	AWG20 ... AWG12 (0.75 mm <sup>2</sup> ... 2.50 mm <sup>2</sup> )
Stripping length	4...5 mm
Max. cable outer diameter	8.0 ... 12 mm
<b>Environmental data</b>	
RoHS compliant	yes
Ambient temperature (operation)	-25...+85°C, -13...+185°F
Protection rating	IP67
UL	no, UL certification in preparation
Application Note	Robust and high power transmission up to 12 A and 630 V for AC and DC applications

## Dimensions



A1	~70 mm
A2	Ø 24 mm
A3	AF22

## Notes

- Illustrations similar

## Ordering information

ZS2020-3711

M12, plug, field assembly, straight, male, 4-pin, S-coded, 0.5...2.5 mm<sup>2</sup>, Ø 8...12 mm

**Accessories**

ZB8801-0000	torque wrench for hexagonal plugs, adjustable
ZB8801-0004	Torque cable key, M12 (field assembly Power)wrench size 22, for ZB8801-0000



Products marked with a crossed-out wheeled bin shall not be discarded with the normal waste stream. The device is considered as waste electrical and electronic equipment. The national regulations for the disposal of waste electrical and electronic equipment must be observed.

Beckhoff®, TwinCAT®, TwinCAT/BSD®, TC/BSD®, EtherCAT®, EtherCAT G®, EtherCAT G10®, EtherCAT P®, Safety over EtherCAT®, TwinSAFE®, XFC®, XTS® and XPlanar® are registered trademarks of and licensed by Beckhoff Automation GmbH. Other designations used in this publication may be trademarks whose use by third parties for their own purposes could violate the rights of the owners.

© Beckhoff Automation GmbH & Co. KG 04/2024

The information provided in this brochure contains merely general descriptions or characteristics of performance which in case of actual application do not always apply as described or which may change as a result of further development of the products. An obligation to provide the respective characteristics shall only exist if expressly agreed in the terms of contract.